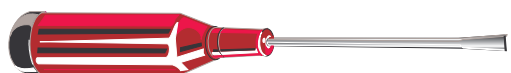
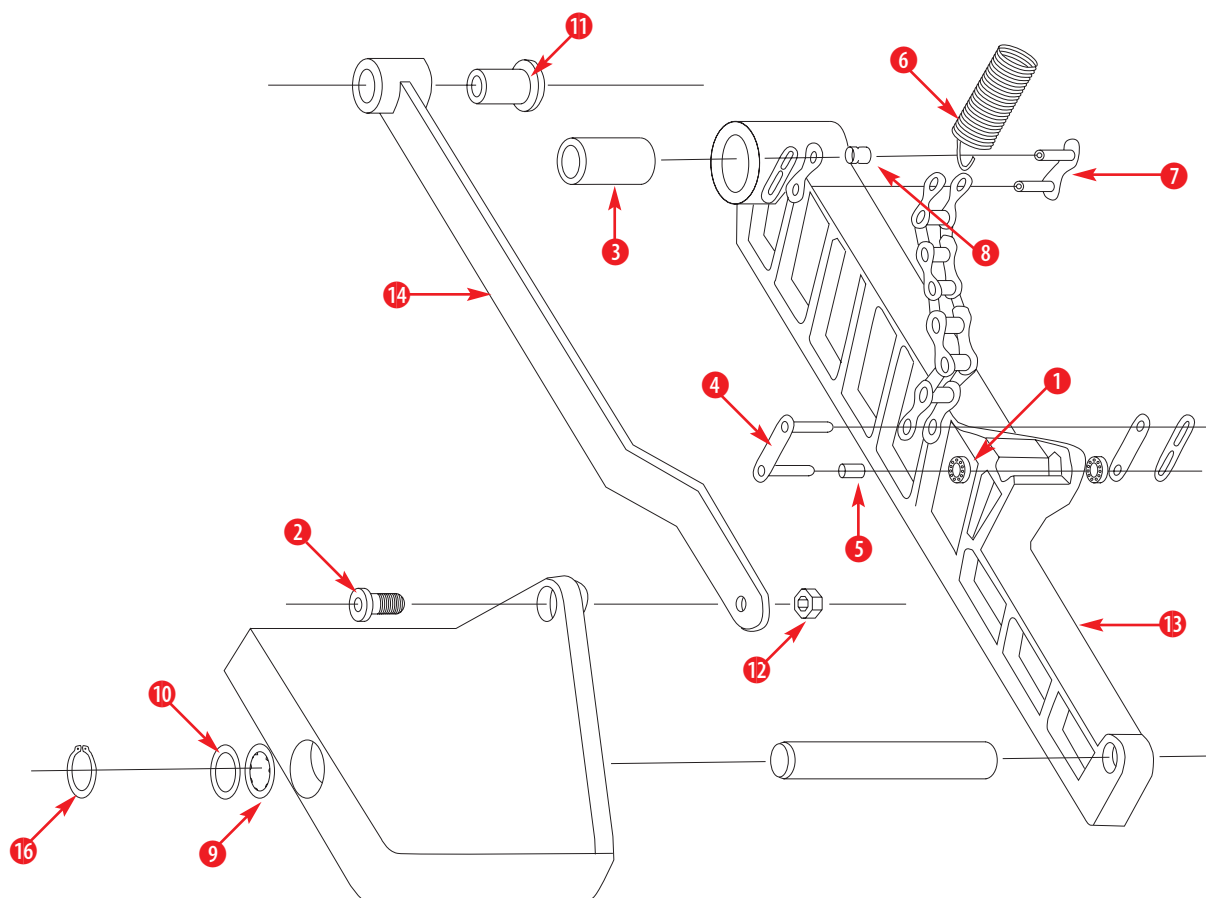


NGS Schematics



StairMaster 4000PT Pedal Arm Schematic



Pedal Arm Components

1	SM050	Bearing, 1/4", Pedal Arm	12	SM065	Nut, Flange, Shoulder Bolt
1	SM050.1	Bearing, Plastic, New Style	9	SM057	Wave Washer
2	SM051	Shoulder Bolt	10	SM058	Flat Washer, 5/8", Pedal Shaft
3	SM052	Bushing, Pedal Arm	11	SM059	Bushing, Level Arm
4	SM053	Master Link, Double-pitch	13	SMA01	Right Pedal Arm, New
5	SM054	Sleeve, Bearing Insert	13	SMA02	Left Pedal Arm, New
6	SM055	Spring, Pedal Return	14	SM082	Level Arm w/ Sleeve, Snap Ring, Cap
7	SM056	Master Link, Single-pitch	16	SMAB09	Snap Ring, Pedal Shaft
8	SM068	Chain Spring Connector			